

# WYT-Y

## 永磁同步曳引机

### PM Traction Machine

WYT-Y系列产品为高速(4m/s)、大载重电梯开发,是我司最早推出的内转子无齿轮永磁同步曳引机,经过长期的应用及技术优化,已发展为第二代产品。主机结构可靠,轴负荷大,适合载重量大的高层建筑应用。

WYT-Y series inner rotor type PM gearless traction machine is developed by Bluelight in 2004 for high speed (up to 4m/s) & high capacity (up to 2000kg) elevator. After long time of improvement & optimization, this series has development second version (MK II).

#### 主机技术参数 (Traction Machine Parameter)

额定电压 (Voltage): AC380V

悬挂比 (Roping): 2: 1

钢丝绳绕法 (Wrap): 单绕 (Single) /复绕 (Double)

额定载重量 (Capacity): 800kg~2000kg

轿厢速度 (Speed): 1.0m/s~4.0m/s

防护等级 (Protection Grade): IP41

绝缘等级 (Ins. Class): F

曳引机极数(Traction machine pole): 20

启动频次(次/小时, Stars per hour): 240

工作制(Rating): S5-40%

推荐提升高度(Height): ≤180m

#### 制动器技术参数 (Brake Parameter)

型号 (Model): DZE

绝缘等级 (Ins.Class): F

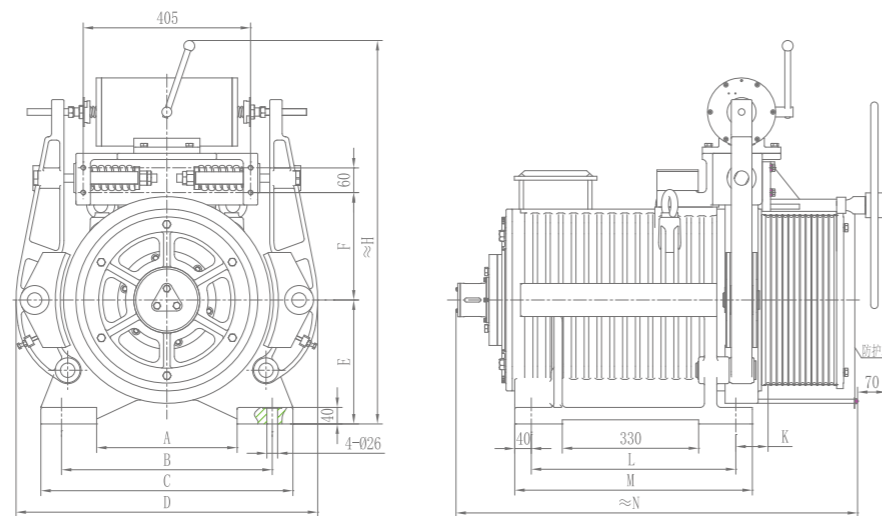
额定电压 (Voltage): AC220/110V

额定电流 (Current): 5.6/2.8A



#### 特点 (Features)

- ◎ 大轴负荷设计, 机械结构简洁可靠;
- ◎ 过载能力强, 低速性好, 在低速时可以平稳输出大扭矩;
- ◎ 轿厢速度范围宽、载重量覆盖广;
- ◎ 温升低, 效率高, 转矩大, 噪音低;
- ◎ 有单绕和复绕两种形式。
- ◎ Designed with large shaft load, simple and reliable mechanical structure;
- ◎ Excellent overload ability and low-speed performance.
- ◎ Wide range of car speed and capacity;
- ◎ Low temperature rise, high efficiency, large torque & low noise;
- ◎ Machine sheave can support single wrap and double wrap.



外观尺寸图 | Outline drawing

## WYT-Y内转子系列 (单绕系列)

### WYT-Y Inner Rotor Series (single wrap)

系列 Series	型号 Model	载重 Capacity (kg)	轿厢速度 Speed (m/s)	曳引轮直径 Sheave (mm)	槽数 Num	绳径 (mm)	槽间距 Pitch (mm)	额定电流 Current (A)	额定转速 Motor Speed (rpm)	额定频率 Frequency (Hz)	额定功率 Power (kW)	额定转矩 Torque (Nm)	最大轴负荷 Shaft Load (kg)	主机重量 Weight (kg)	安装尺寸 Dimension(mm)												
															A	B	C	D	E	F	H	K	L	M	N		
WYT-Y	1.0A3	800	1.0	φ410	5	φ10	16	14	94	15.7	5.7	580	8000	≈850	340	510	610	730	300	260	960	78	380	460	820		
	1.6A3		1.6					20.8	150	25	9.1																
	1.75A3		1.75					22.9	163	27.2	9.9																
	2.0A3		2.0					25.5	186	31	11.3																
	2.5A3		2.5					31.5	234	39	14.1																
	3.0A3		3.0					37.3	239	39.84	17																
	4.0A3	4.0	49.1	318	53	22.6																					
	1.0B3	1.0	1000	1.0	φ410	6	φ10	16	16.1	94	15.7	6.7														682	
	1.6B3	1.6		24.5					150	25	10.7																
	1.75B3	1.75		26.3					163	27.2	11.7																
	2.0B3	2.0		29.6					186	31	13.3																
	2.5B3	2.5		37.5					234	39	16.7																
	3.0B3	3.0		44.4					239	39.84	20																
	4.0B3	4.0	58.6	318	53	26.7																					
	1.0BC3	1.0	1150	1.0	φ410	7	φ10	16	19.4	94	15.7	8														810	
	1.6BC3	1.6		29.6					150	25	12.7																
	1.75BC3	1.75		32.2					163	27.2	13.8																
	2.0BC3	2.0		35.5					186	31	15.8																
	2.5BC3	2.5		43.6					234	39	19.8																
	3.0BC3	3.0		53.2					239	39.84	23.7																
	4.0BC3	4.0	70.2	318	53	31.6																					
	1.0C3	1.0	1275	1.0	φ410	7	φ10	16	20.1	94	15.7	8.6														1020	
	1.6C3	1.6		30.6					150	25	13.6																
	1.75C3	1.75		33.6					163	27.2	14.8																
	2.0C3	2.0		38					186	31	17																
	2.5C3	2.5		47.1					234	39	21.2																
	3.0C3	3.0		57.2					239	39.84	25.5																
	4.0C3	4.0	76.5	318	53	34																					
	1.0D3	1.0	1350	1.0	φ410	8	φ10	16	22	94	15.7	9.4														950	
	1.6D3	1.6		33.5					150	25	14.9																
1.75D3	1.75	36.7		163					27.2	16.2																	
2.0D3	2.0	41		186					31	18.5																	
2.5D3	2.5	51.4		234					39	23.3																	
3.0D3	3.0	62.3		239					39.84	27.8																	
4.0D3	4.0	83.2	318	53	37																						
1.0E3	1.0	1600	1.0	φ410	9	φ10	16	25.2	94	15.7	11	1120															
1.6E3	1.6		39					150	25	17.6																	
1.75E3	1.75		42.2					163	27.2	19.1																	
2.0E3	2.0		48.2					186	31	21.9																	
2.5E3	2.5		60					234	39	27.4																	
3.0E3	3.0		74.6					239	39.84	33.3																	
4.0E3	4.0	99.6	318	53	44.3																						
1.0EF3	1.0	1800	1.0	φ480	8	φ12	18	29.7	80	13.34	12.5	1490															
1.6EF3	1.6		45.8					127	21.2	19.8																	
1.75EF3	1.75		49.6					139	23.2	21.7																	
2.0EF3	2.0		55.8					159	26.5	24.8																	
2.5EF3	2.5		71.5					199	33.2	31																	
3.0EF3	3.0		85.2					239	39.84	37.3																	
4.0EF3	4.0	112	318	53	49.6																						
1.0F3	1.0	2000	1.0	φ480	8	φ12	18	34	80	13.34	13.8	1650															
1.6F3	1.6		53					127	21.2	22																	
1.75F3	1.75		54.9					139	23.2	24																	
2.0F3	2.0		63.5					159	26.5	27.5																	
2.5F3	2.5		80					199	33.2	34.4																	
3.0F3	3.0		92					239	39.84	41.3																	
4.0F3	4.0	123	318	53	54.9																						